

Hansgrohe
Technical information

Planning and installation

Perfectly shaped and fully functional: the new PuraVida® kitchen mixer



PuraVida 2-hole electronic kitchen mixer



PuraVida 2-hole single-lever kitchen mixer

The loveliest way to enjoy water

We have a passion for working with water. It fascinates and delights us. That is why all Hansgrohe products share the same aim: to combine pleasure and comfort. The new PuraVida kitchen mixer is no exception, with its emotional design and innovative control. Benefit from the excellent quality and beautiful aesthetics in your sales presentations and delight discerning customers with timelessly beautiful shapes, exclusive, innovative materials and precise workmanship.





The perfect combination of design and technology

You will delight your customers with the PuraVida kitchen mixers. Separating the control from the mixer creates an impressive aesthetic – the electronic version received the prestigious iF Product Design Award 2011. The clear yet soft lines of the mixer speak their own sensuous language that encourages us to touch and experience it. However, it is the technical highlights that will shine in your sales talk.



Irresistible design

Matched to all the current sink finishes, the PuraVida kitchen mixer is available in both stainless steel effect and chrome. The galvanised production process makes both versions resistant to all the usual daily stresses and tasks. The DualFinish in the unique stainless steel effect is particularly eye-catching where the smooth material transition from the brushed basic unit to the polished spout emphasises the exclusive quality.



Stainless steel effect



Chrome

More comfort

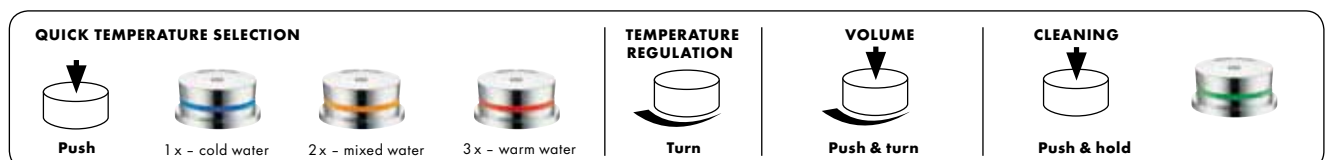
The high swivel spout offers more space between the spout and the sink, which makes it ideal for filling large vessels. This clear benefit will definitely help you to convince your customers.



High swivel spout

Easy control of the electronic mixer

Consultations have never been this easy: you can choose from three pre-set temperatures at the touch of a button, and set an individual one by turning the same button. You can see your selection in colour on the LED illuminated ring. The water volume is effortlessly regulated by pushing and turning at the same time. The cleaning mode is activated if you push the button for a few moments. It is then easy to clean the control element without the water running. There is also the option of saving your chosen water temperature and flow, and of setting the maximum water temperature.



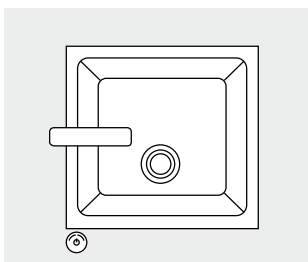


Maximum comfort thanks to individual positioning

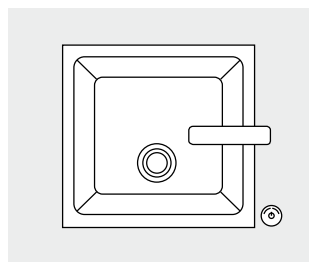
The unique operating concept that allows the mixer and control element to be positioned separately of each other enables freedom for individual customer requests, whether for an electronic or single-lever mixer. This flexibility offers a number of very practical benefits: as well as allowing for the user's typical working needs, individual physical circumstances can also be taken into account. Whether left- or right-handed and regardless of height, as of now working in the kitchen is ergonomic and comfortable – even with both hands full.

Electronic

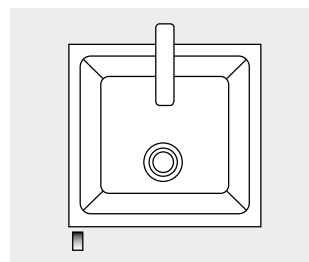
Manual



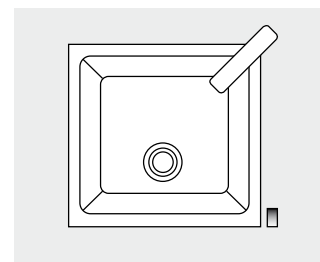
Mixer left, control element in front of the bowl



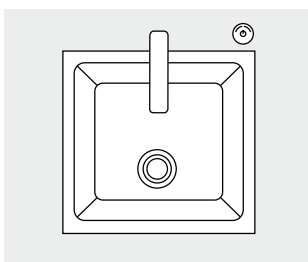
Mixer and control element to the right of the bowl



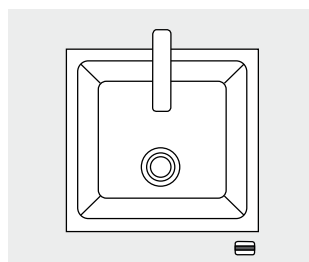
Mixer behind the bowl, control lever in front of the bowl



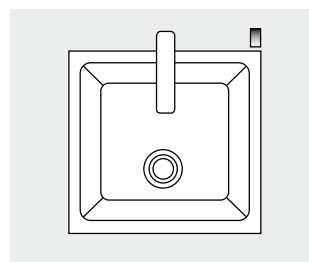
Mixer at rear right, control lever to the right of the bowl



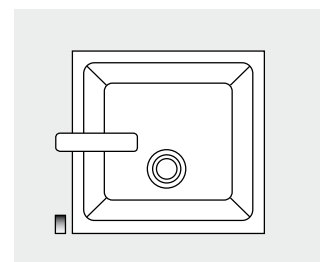
Mixer and control element behind the bowl



Mixer behind the bowl, control element upright on the kitchen front



Mixer and control lever behind the bowl



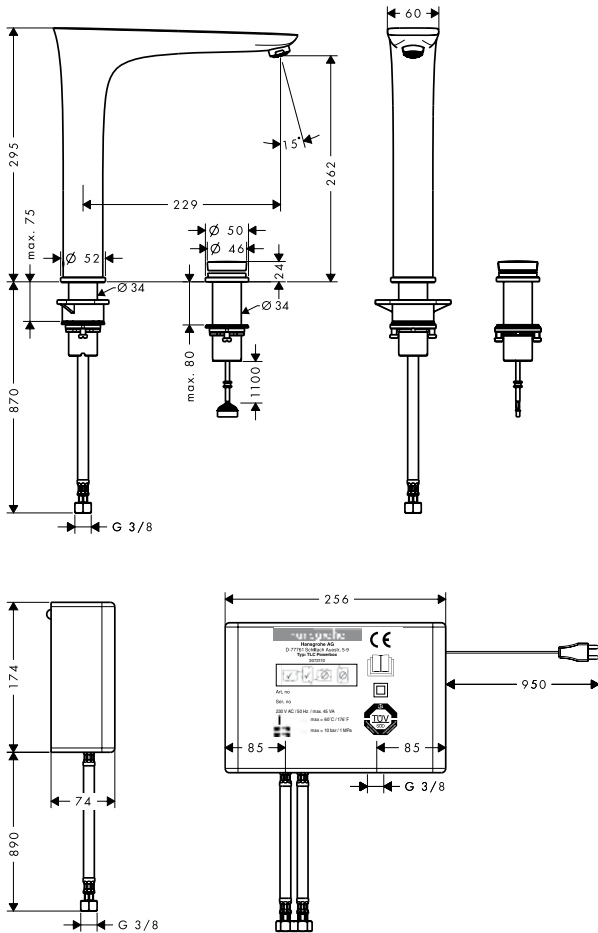
Mixer and control lever to the left of the bowl



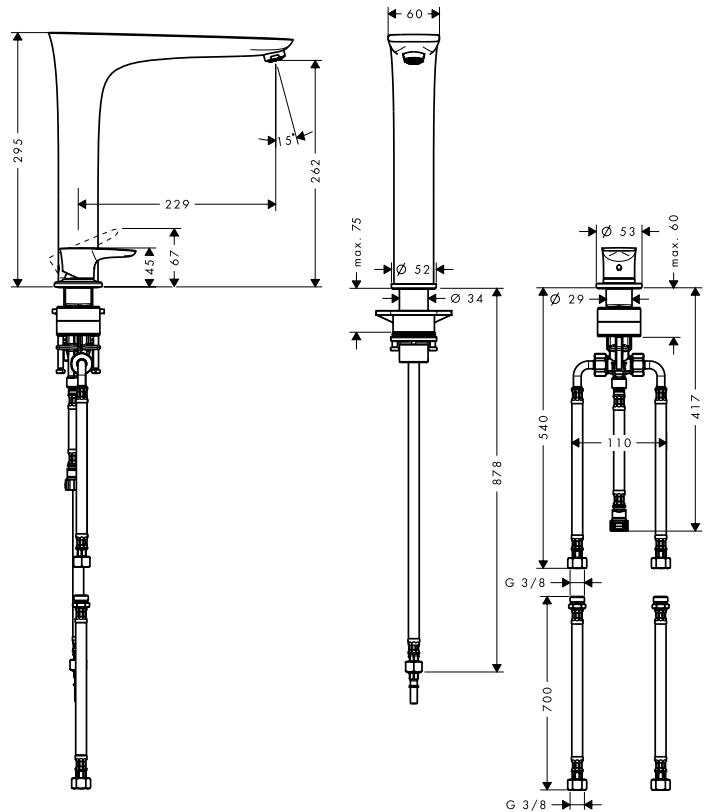
PuraVida
Positioning
Dimensions and range

Technical drawings and range overview

PuraVida 2-hole electronic kitchen mixer



PuraVida 2-hole single-lever kitchen mixer



product
design
award

2011



NOMINEE



PuraVida 2-hole
electronic kitchen mixer
Stainless steel effect
#15805800
Ref. Dummy #15809800



PuraVida 2-hole
electronic kitchen mixer
Chrome
#15805000
Ref. Dummy #15809000

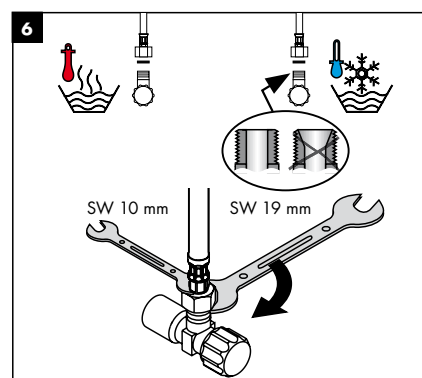
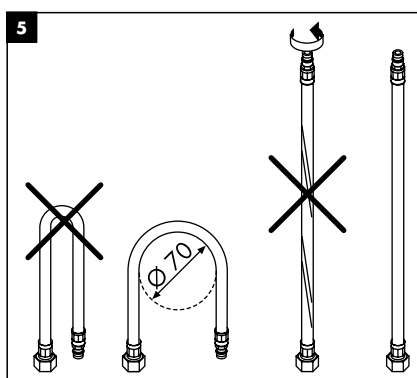
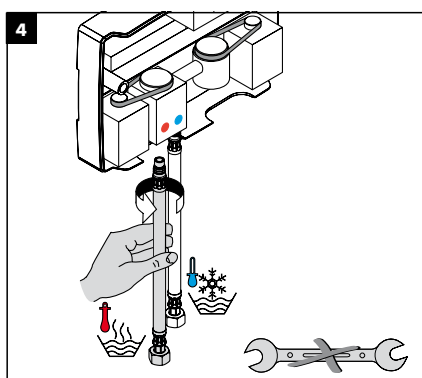
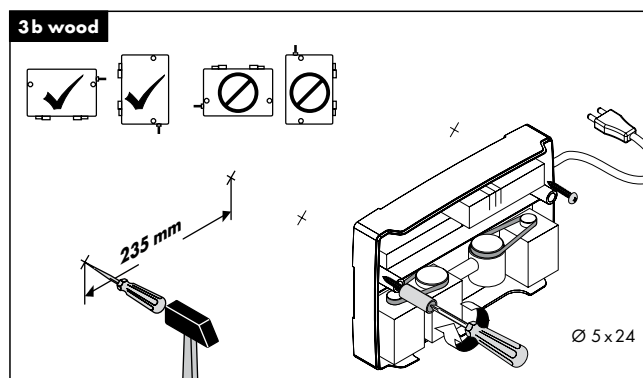
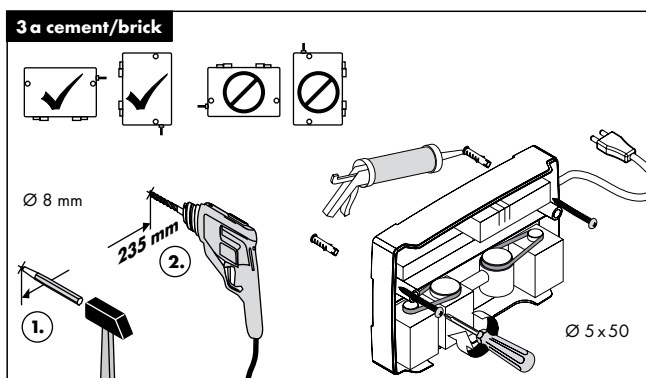
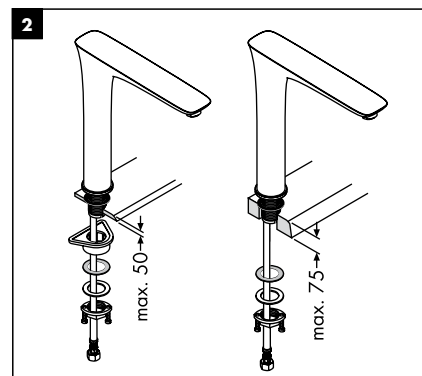
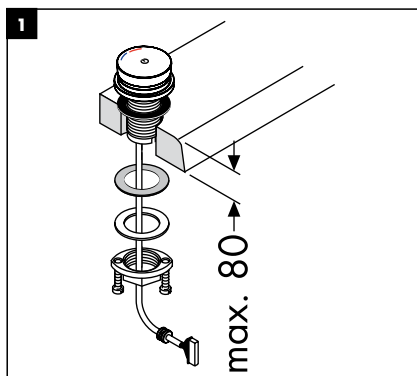
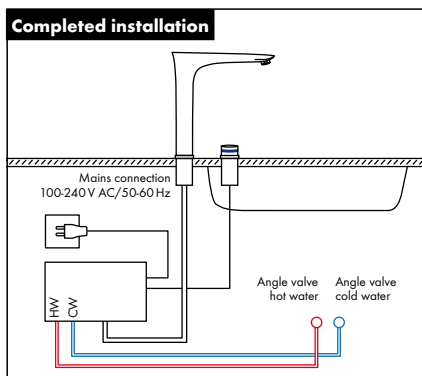


PuraVida 2-hole
single-lever kitchen mixer
Stainless steel effect
#15812800

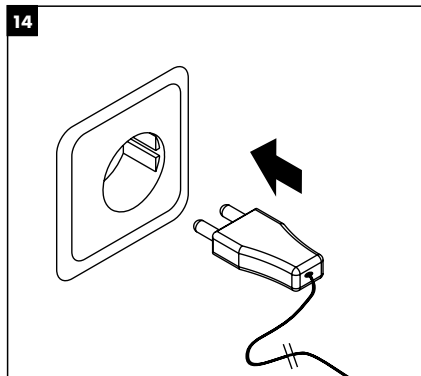
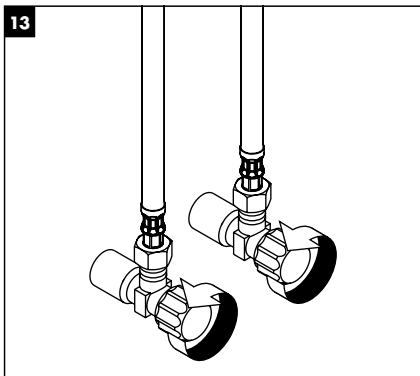
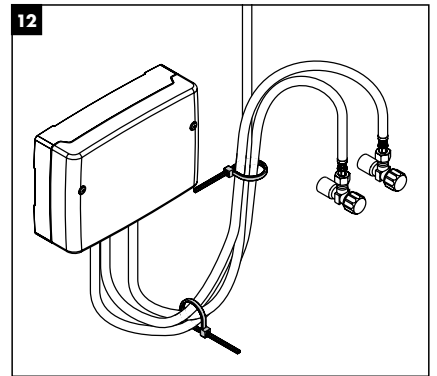
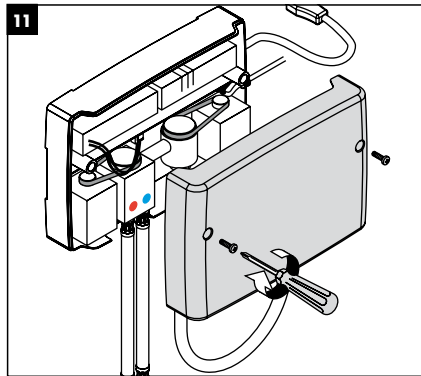
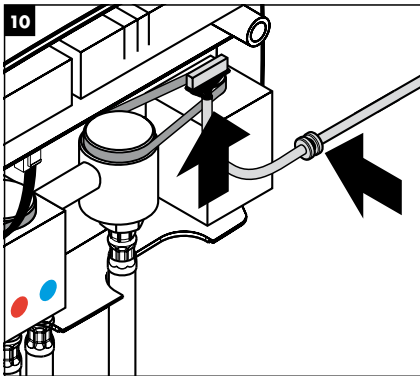
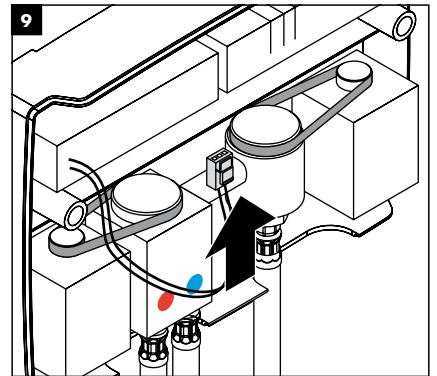
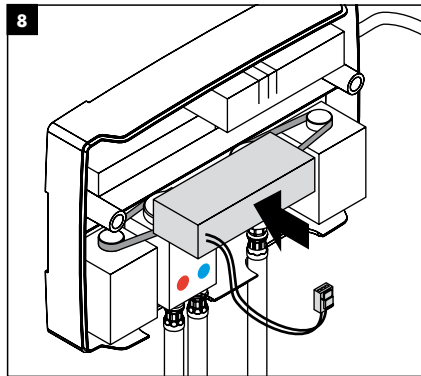
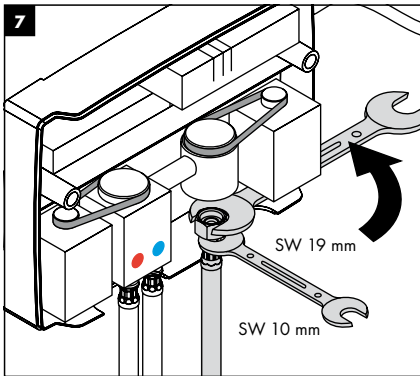


PuraVida 2-hole
single-lever kitchen mixer
Chrome
#15812000

Installation instructions



All measurements in mm



The space required for the connector hoses is determined by the individual positioning of the mixer and control element. The connector hoses can be secured using cable ties. Detailed assembly instructions, plus the cleaning information are available at www.pro.hansgrohe-int.com/puravida-kitchen



This brochure has been produced with as much care for the environment as possible. By changing to a new type of paper, we have been able to reduce CO₂ emissions in production by more than 30%. You can also do your bit for the environment by passing this brochure on to others when you have finished with it or else recycling it.



**Find out more on our website:
pro.hansgrohe-int.com**

Headquarters – Hansgrohe · Postbox 1145 · D-77757 Schiltach
Tel. +49 78 36 51-0 · Fax +49 78 36 51-13 00 · info@hansgrohe.com · www.hansgrohe.com

Australia – Hansgrohe Pty Ltd · Level 1, 123 Camberwell Rd, East Hawthorn · 3123 Victoria
Tel. +61 3 9811 9971 · Fax +61 3 9804 0042

Cyprus – Hansgrohe Middle East & Africa Limited · Artemisia Business Center · 14 Charalambou Mouskou
Office 201 · CY-2015 Strovolos · Nicosia · Cyprus · Tel. +357 22 441370 · Fax +357 22 441374
nicosia@hansgrohe.com · www.hansgrohe-mea.com

Portugal – Hansgrohe · Rua Antoine de Saint Exupéry Alapraia · P-2765-043 Estoril
Tel. +351 21 4667110 · Fax +351 21 4667119 · hansgrohe@jrb.pt · www.hansgrohe.com

Singapore – Hansgrohe Pte. Ltd. · 69 Mohamed Sultan Road · Singapore 239015
Tel. +65 6884 5060 · Fax +65 6884 5070 · info@hansgrohe.com.sg · www.hansgrohe.com.sg

South Africa – Hansgrohe South Africa (Pty) Ltd. · P.O Box 2912 · 136 Walton Road
Carlsward Midrand · ZA-1685 Halfway House · Tel. +27 11 468 11-50 · Fax +27 11 468 11-52
sales@hansgrohe.co.za · www.hansgrohe.co.za

Southeast Europe – Hansgrohe Southeast Europe ured i izložbeni salon · Horvatova 82
HR-10010 Novi Zagreb · Tel. +385 1 5630 800 · Fax +385 1 5630 899
info@hansgrohe.hr · www.hansgrohe.hr

