



see what Delta can do™

ACCESSORIES

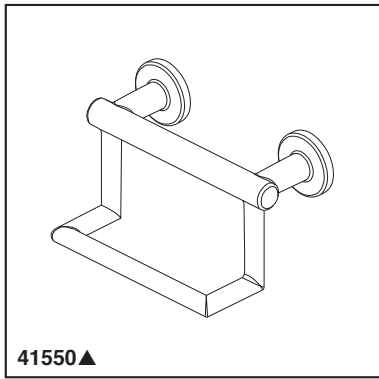
- Décor Assist™
- Contemporary Toilet Paper Holder with Assist Bar

STANDARD SPECIFICATIONS:

- Wood blocking is preferable behind all wall surfaces. If wood blocking is not available, the supplied fasteners are recommended.
- Mounting hardware and mounting template included with product.
- 7/8" (22 mm) diameter assist bar.
- Maximum 300 lbs. as an assist bar on indicated surface when properly installed.
- Pivoting tissue holder for easy loading.

WARRANTY

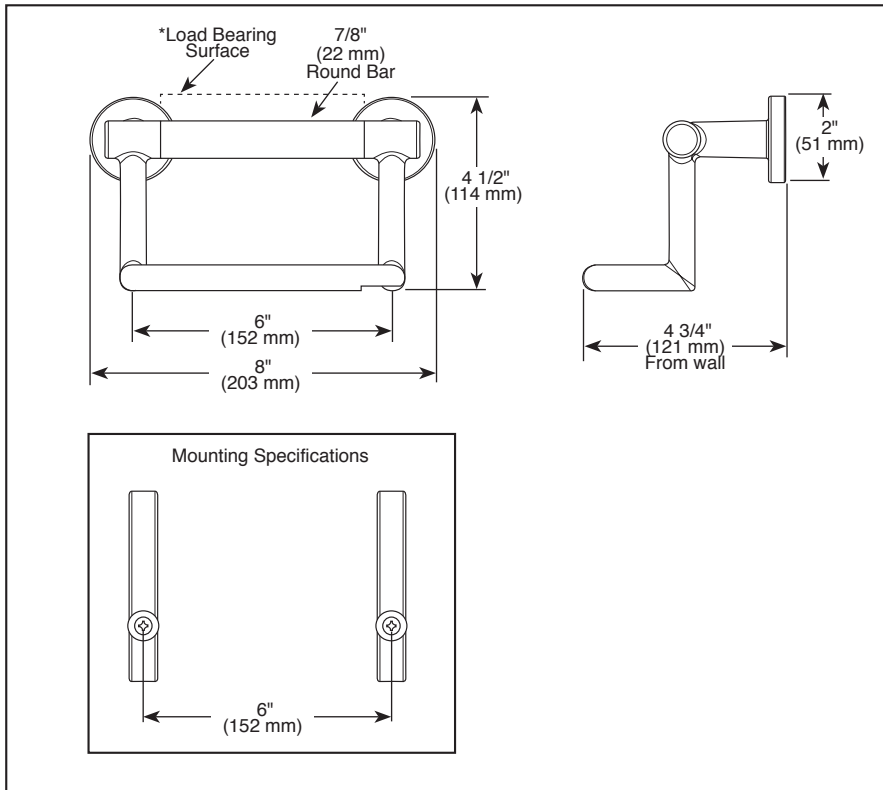
- Parts and Finish - Lifetime limited warranty; or for commercial purchasers, 10 years for multi-family residential (apartments and condominiums) and 5 years for all other commercial uses, in each case from the date of purchase.
- Electronic Parts and Batteries (if applicable) - 5 years from the date of purchase; or for commercial purchasers, 1 year from the date of purchase. No warranty is provided on batteries.



41550▲

Submitted Model No.: _____

Specific Features: _____



▲ Designate Proper Finish Suffix