

S71

S719-U450 Under-mount sink 450

Surfaces: **Stainless Steel** Article Number: **43426800**



Description

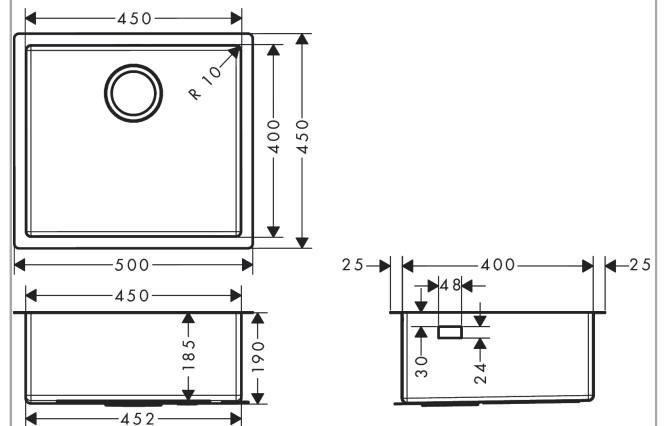
product features

- cut-out dimensions: 448 x 398 mm
- material: stainless steel
- number of bowls: 1 main bowl
- without tap hole
- cabinet size: 60 cm
- type of installation: undermount, flat on the countertop (self-rimming) or flush-mount installation
- position overflow: on the right side of the bowl
- corner radius: 10 mm
- sink depth: 190 mm
- waste set not included - please order one waste set from the required parts

Product image



Scale drawing



S71

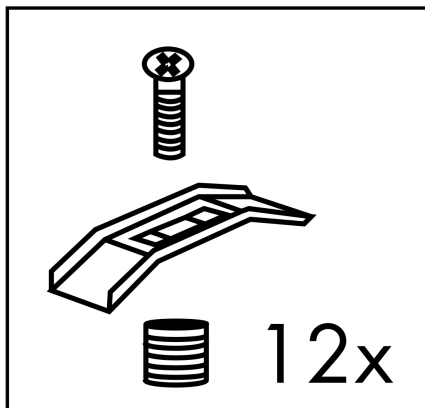
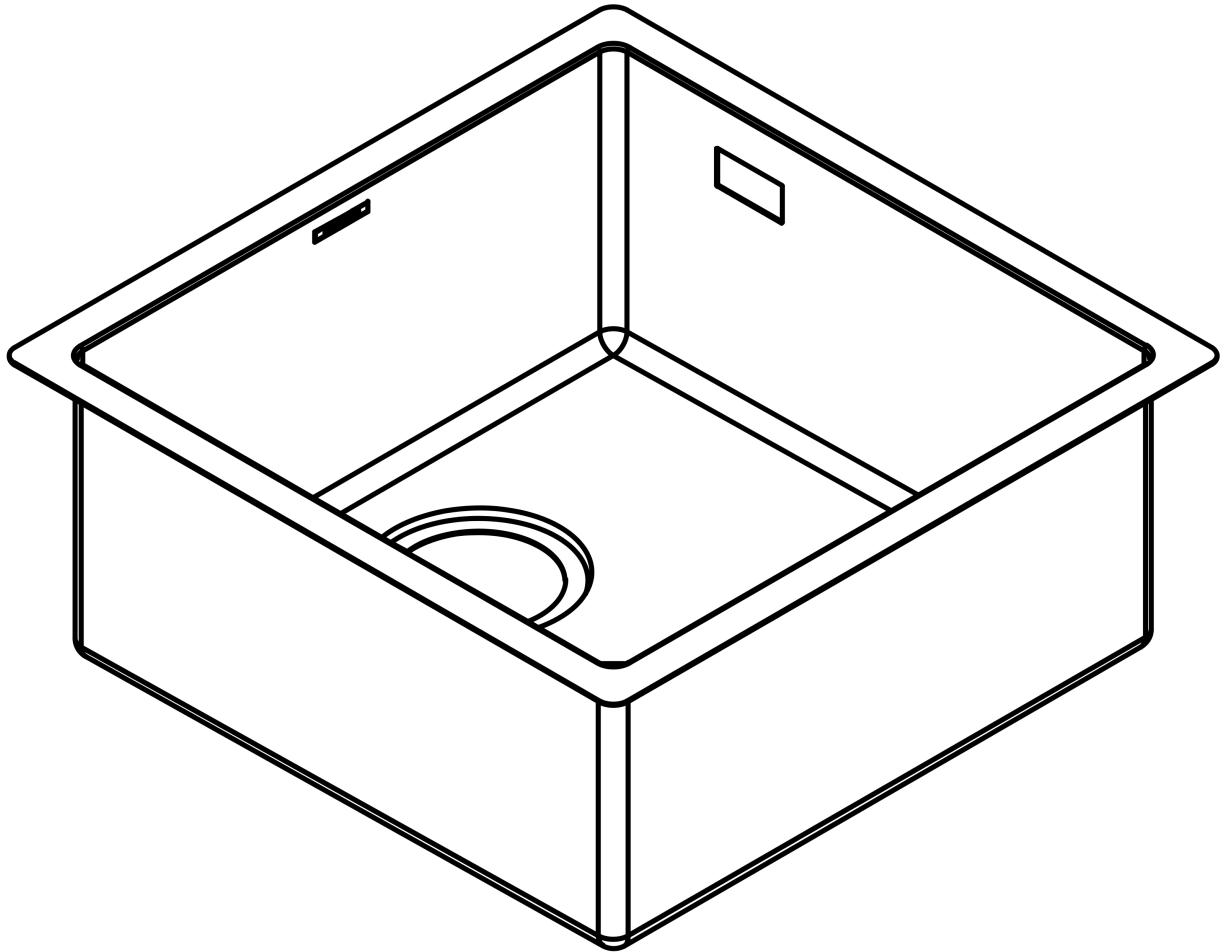
S719-U450 Under-mount sink 450

Surfaces: **Stainless Steel** Article Number: **43426800**



Exploded Drawing

Year of production: >04/17



1

S71

S719-U450 Under-mount sink 450

Surfaces: **Stainless Steel** Article Number: **43426800**



Spare part list

Year of production: >04/17

Pos.	Description	Article Number	Price	PU
1	mounting kit	93180000	-	1