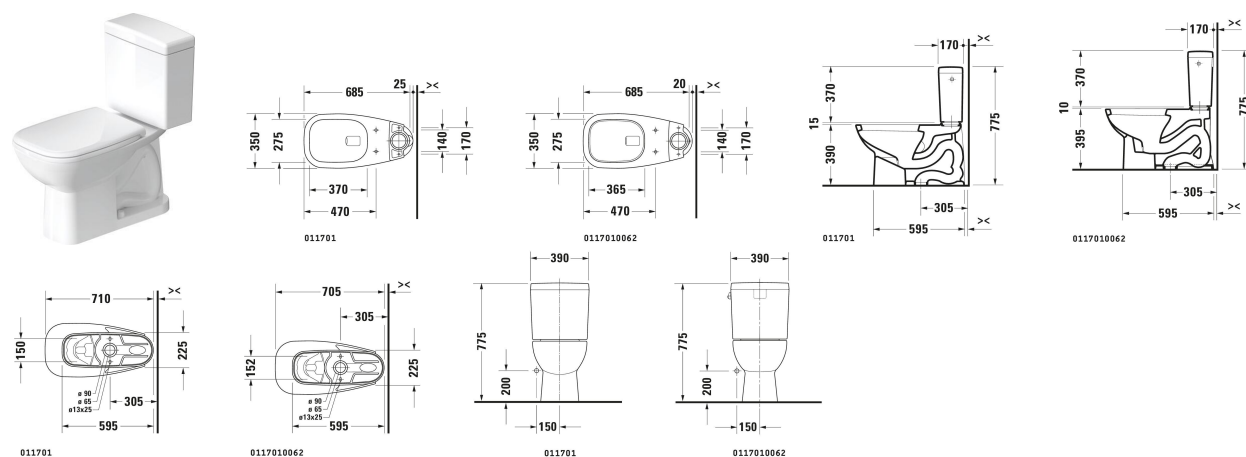


D-Code Two-piece toilet # 011701..62 / 011701..62

| < 350 mm > |



Two-piece toilet	Dimension	Weight	Order number
685 mm, Elongated, Flush water quantity: 4,8/4,8 l, extractor/siphon jet, Flushing rim: Closed, Outlet drain vertical			
Colors			
00 White Alpin 20 HygieneGlaze (an antibacterial ceramic glaze that provides almost indefinite effectiveness)			
Variant			
◆ White High Gloss, Flush water quantity: 4,8 l	350x405 mm	26.200 kg	011701..62
◆ White High Gloss, HygieneGlaze, Flush water quantity: 4,8 l	350x405 mm	26.200 kg	011701..62
Accessory			
Mounting-Set One-piece toilet, Two-piece toilet	60 x 130 mm	0.7 kg	001416
Mounting-Set One-piece toilet, Two-piece toilet	60 x 130 mm	0.875 kg	001418
Mounting-Set One-piece toilet, Two-piece toilet	60 x 130 mm	0.68 kg	001431
Suitable products			
Toilet seat Automatic close: No, Hinge material: Stainless steel, Elongated, 360 x 475 mm	360 x 475 mm		006741
Cistern Flush water quantity: 4,8 l, Incl. mechanism, Single Flush, Water connection position: Bottom left 15/16", Flush operation position: Left, Right, Surface of push button: Chrome, Concealed connection, Unified Water Label (UWL) Class: 2, 390 x 175 mm	390 x 175 mm		092720
Toilet seat Automatic close: Yes, Removable Seat, Hinge material: Stainless steel, Elongated, 362 x 478 mm	362 x 478 mm		006209

All drawings contain the necessary measurements which are subject to standard tolerances. They are stated in mm and are non-binding. Exact measurements, in particular for customised installation scenarios, can only be taken from the finished piece.