

Cento
Single lever kitchen mixer XXL, Semi-Pro, 2jet
 Finish: **Chrome** Article Number: **14806000**



Description

product features

- ComfortZone 190
- swivel range 360°
- normal spray, shower spray
- lockable shower spray, spray returns through pressing spray diverter
- connection dimension: DN15
- maximum flow rate at 3 bar: 10 l/min
- ceramic cartridge with Eco handle position for a reduced flowrate by up to 50%
- connection type: G 3/8 connections
- temperature limitation adjustable
- integrated non-return valve
- suitable for continuous flow water heaters
- EPD Kitchen Faucets

Technology



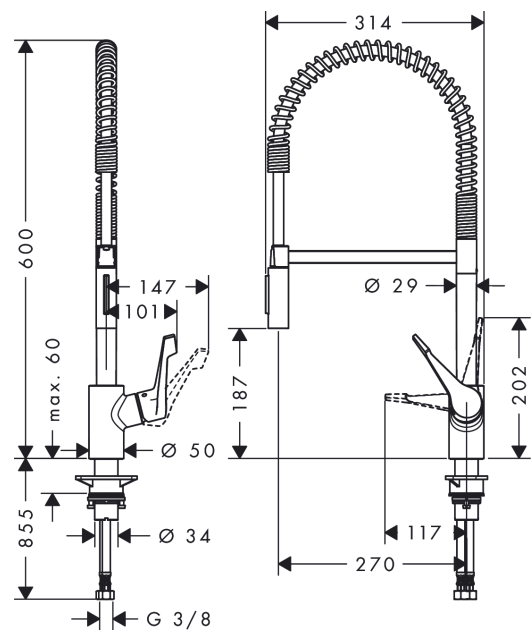
Certificates / Sustainability



Product image



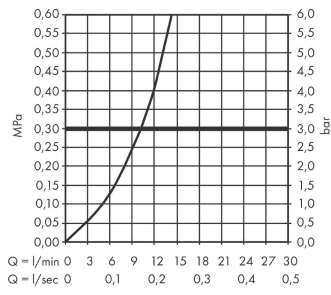
Scale drawing



Cento
Single lever kitchen mixer XXL, Semi-Pro, 2jet
 Finish: **Chrome** Article Number: **14806000**



Flowchart

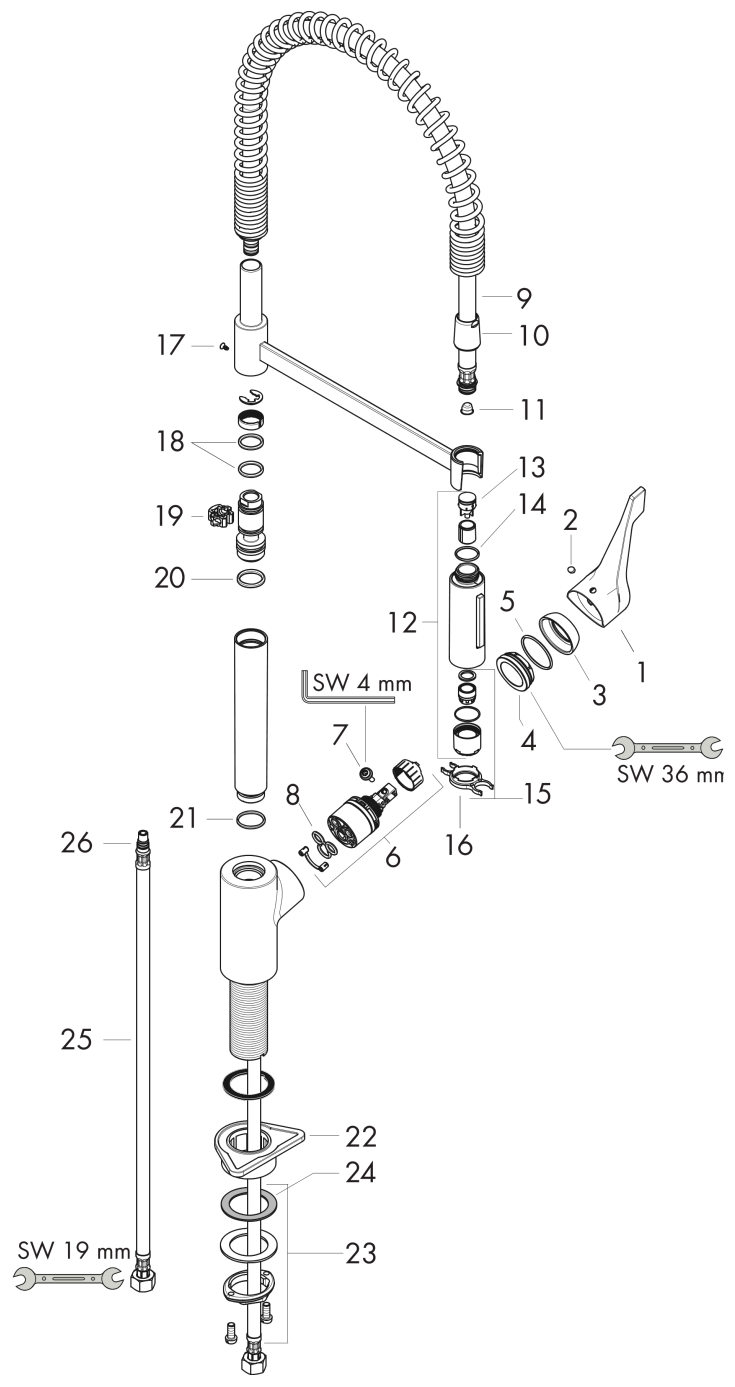


Cento
Single lever kitchen mixer XXL, Semi-Pro, 2jet
 Finish: **Chrome** Article Number: **14806000**



Exploded Drawing

Year of production: >03/14



Cento
Single lever kitchen mixer XXL, Semi-Pro, 2jet
 Finish: **Chrome** Article Number: **14806000**



Spare part list

Year of production: >03/14

Pos.	Description	Article Number	PC	PU
1	handle	92204000	11	1
2	screw cover	96338000	1	1
3	flange	95498000	3	1
4	nut	97209000	5	1
5	O-Ring 32x2	98193000	1	1
6	cartridge, assy	95730000	9	1
7	locking screw for handle	95140000	2	1
8	seal	95008000	3	1
9	shower hose	93820000	12	1
10	nut	92757000	5	1
11	filter	97735000	1	1
12	handspray	98459000	14	1
13	set of non return valves DW 15	97350000	6	1
14	O-ring 18x1,5	98231000	1	1
15	aerator laminar M22x1 (15 l/min)	95909000	10	1
16	service tool	95910000	3	1
17	screw	97662000	3	1
18	O-ring 17x2,5	98387000	1	1
19	axialring	97558000	1	1
20	O-ring 20x2,5	92602000	2	1
21	O-ring 21x2	98205000	2	1
22	support	97523000	2	1
23	fixing set (Ø 34)	95049000	5	1
24	lever collar	97548000	1	1
25	connection hose 900 mm M8x0,75 G3/8	96316000	9	1
26	O-ring 7x1,5	98422000	1	1