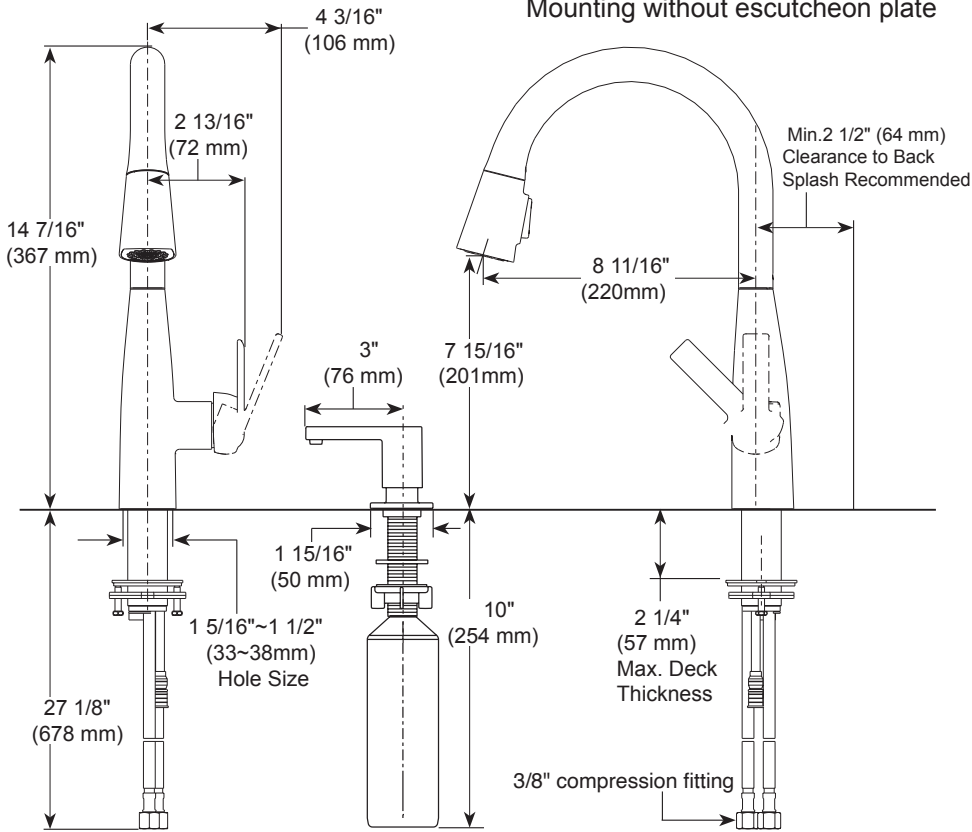


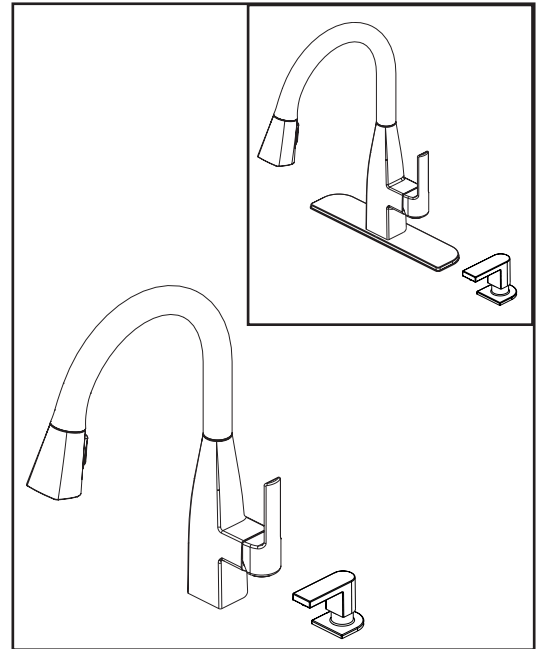
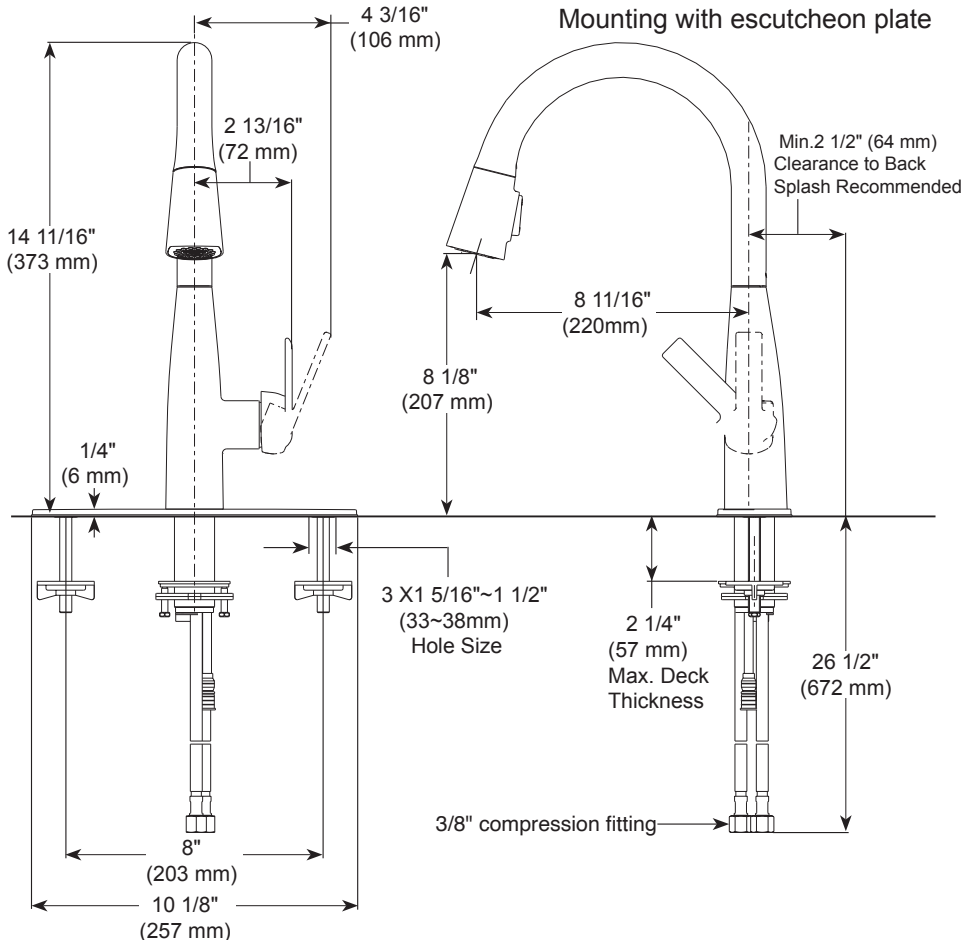
PEERLESS®

P7919LF-▲
P7919LF-▲-1.0

Mounting without escutcheon plate



Mounting with escutcheon plate



KITCHEN FAUCET:

- Xander® Collection
- Single Handle Pull-down
- 1, 2, 3 or 4 Hole Sink Applications

STANDARD SPECIFICATIONS:

- Max. flow rate 1.5 gpm @ 60 psi, 5.7 L/min @ 414 kPa (P7919LF▲)
- Max. flow rate 1.0 gpm @ 60 psi, 3.8 L/min @ 414 kPa (P7919LF▲-1.0)
- One, two, three, four hole mount options (escutcheon and soap dispenser optional, not included)
- 3-function wand: aerated stream, spray, POWERrinse™ (P7919LF▲)
- 2-function wand: aerated stream, spray (P7919LF▲-1.0)
- Dual integral check valves in sprayer
- Ceramic cartridge
- Spout rotates 360°
- Red/Blue indicator markings
- Polymer braided flexible supply hose with 3/8" compression fitting - 27 1/8" (678 mm) long

WARRANTY

- Parts and Finish – Lifetime limited warranty; or for commercial purchasers, 10 years for multi-family residential (apartments and condominiums) and 5 years for all other commercial uses, in each case from the date that the product is received by the original purchaser or their authorized representative (installation contractor, etc.).
- Please go to www.peerlessfaucet.com for the complete details of our limited warranty.

COMPLIES WITH:

- ASME A112.18.1 / CSA B125.1
- ICC/ANSI A117.1 – Valve control only

▲ Designate proper finish suffix

PSP-K-P7919LF Rev. G