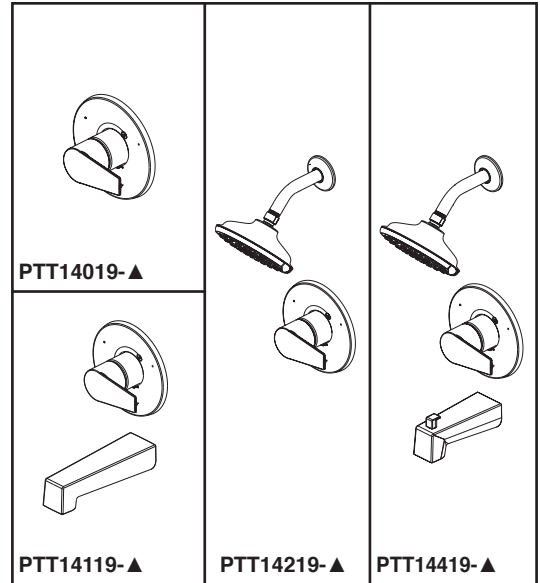
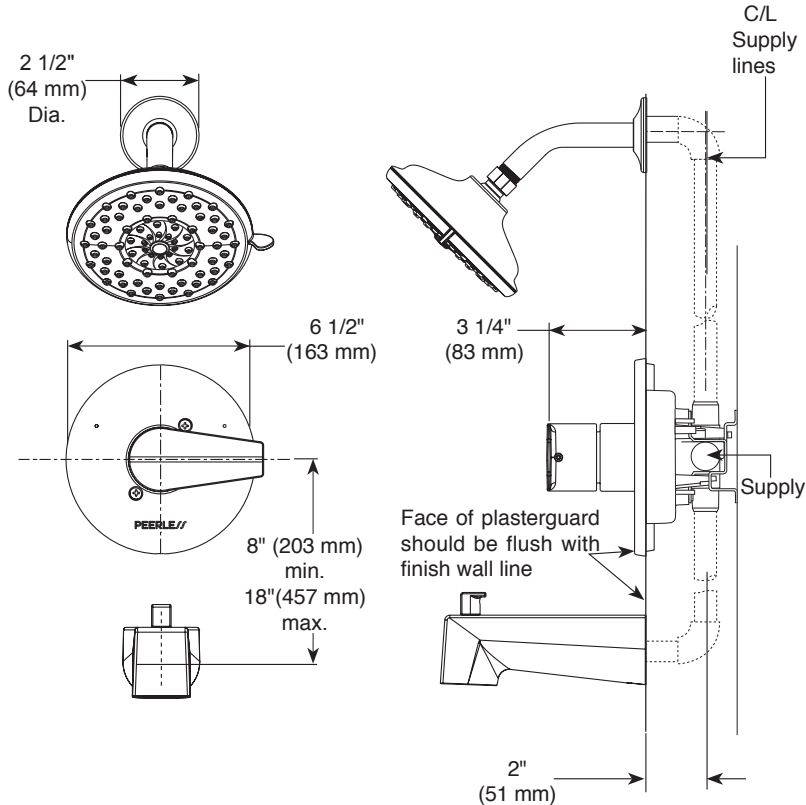


# PEERLESS®

PTT14019-▲  
PTT14119-▲  
PTT14219-▲  
PTT14419-▲



## TUB AND SHOWER FAUCET TRIM

- Xander® Collection
- Valve Only (PTT14019-▲)
- Tub Only (PTT14119-▲)
- Shower Only (PTT14219-▲)
- Tub/Shower (PTT14419-▲)

## STANDARD SPECIFICATIONS:

- Maintains a balanced pressure of hot and cold water even when a valve is turned on or off elsewhere in the system.
- For use with MultiChoice® Universal rough valve body (R10000 Series); not included.
- Back-to-back installation capability.
- Red/blue markings on escutcheon for hot/cold identification.
- Temperature only controlled with handle rotating a maximum of 120° from full cold to the full hot.
- Cartridge utilizes integral check valve to prevent the cross flow of water within the valve.
- Shower head maximum flow rate is 1.5 gpm @ 80 psi, 5.7 L/min @ 550 kPa.
- Easy-turn 3-spray setting shower head.
- Spray settings include: full body spray, massaging spray & pause.
- Slip-on tub spout.

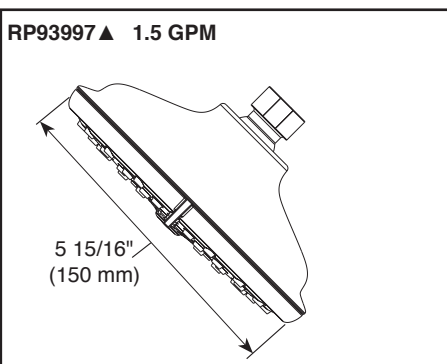
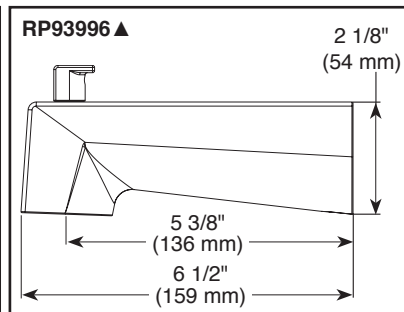
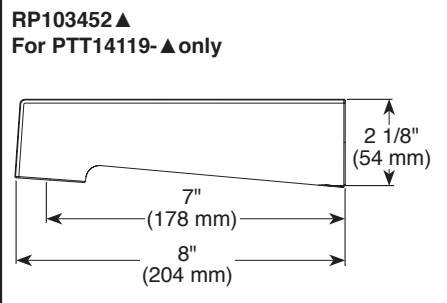
## WARRANTY

- Parts and Finish – Lifetime limited warranty; or for commercial purchasers, 10 years for multi-family residential (apartments and condominiums) and 5 years for all other commercial uses, in each case from the date that the product is received by the original purchaser or their authorized representative (installation contractor, etc.).
- Please go to [www.peerlessfaucet.com](http://www.peerlessfaucet.com) for the complete details of our limited warranty.



## COMPLIES WITH:

- ASME A112.18.1 / CSA B125.1
- EPA WaterSense® - Applies to PTT14219-▲ & PTT14419-▲ only
- ICC/ANSI A117.1 – Valve control only



▲ Designate proper finish suffix

PSP-B-PTT14019 Rev. D