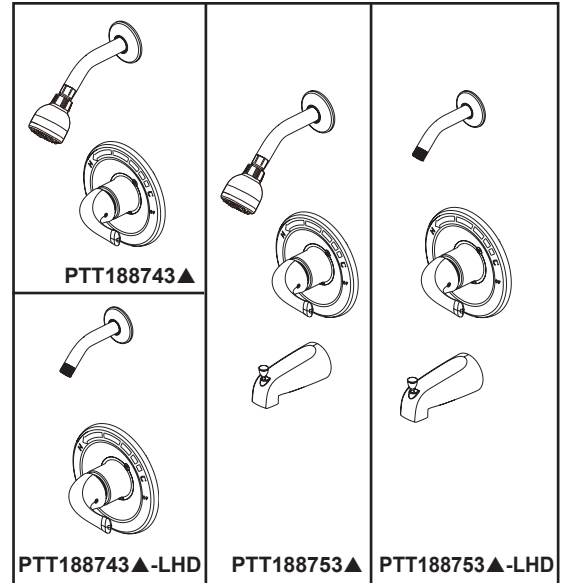
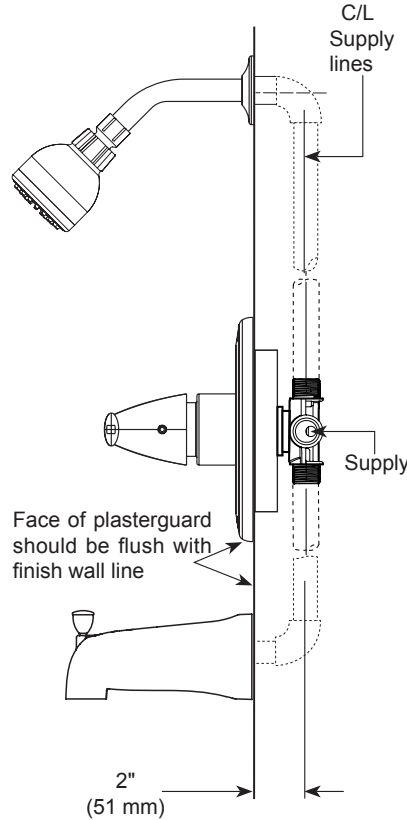
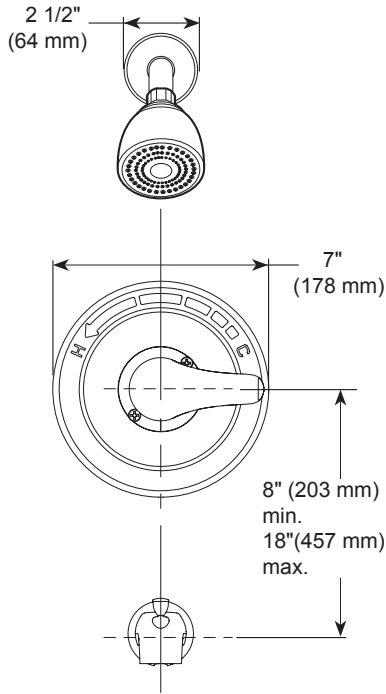


PEERLESS®

PTT188743▲
 PTT188743▲-LHD
 PTT188753▲
 PTT188753▲-LHD



TUB AND SHOWER FAUCET TRIM

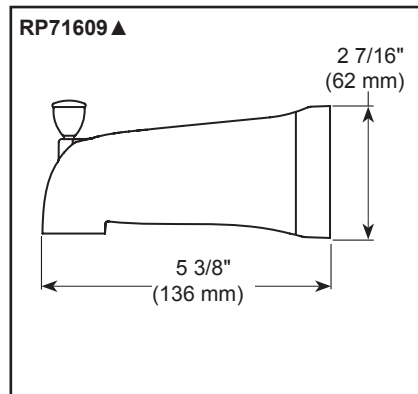
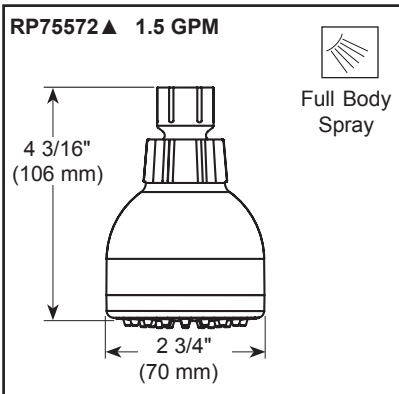
- Shower Only (PTT188743▲ & PTT188743▲-LHD)
- Tub / Shower (PTT188753▲ & PTT188753▲-LHD)

STANDARD SPECIFICATIONS:

- Pressure balanced bath mixing valve
- Tub/Shower. Requires 1 1/2" wall cavity
- Back-to-back installation capability
- Temperature control to rotate a maximum of 120° from full cold to the maximum temperature
- Temperature only controlled with handle
- "-LHD" models indicate less shower head
- Shower head max flow rate is 1.5 gpm @ 80 psi, 5.7 L/min @ 550 kPa
- For use with PTR188700 Series rough valve body; not included
- Slip-on tub spout

WARRANTY

- Parts and Finish - Lifetime limited warranty; or for commercial purchasers, 10 years for multi-family residential (apartments and condominiums) and 5 years for all other commercial uses, in each case from the date of purchase.



certified by
 CSA Group
 SHOWER HEADS
 PORNOS DE DUCHA
 CABEZA DE RESERVA

COMPLIES WITH

- ASME A112.18.1 / CSA B125.1
- EPA WaterSense® - Applies to PTT188743 & PTT188753 only

Indicates compliance to ICC/ANSI A117.1 - Valve control only